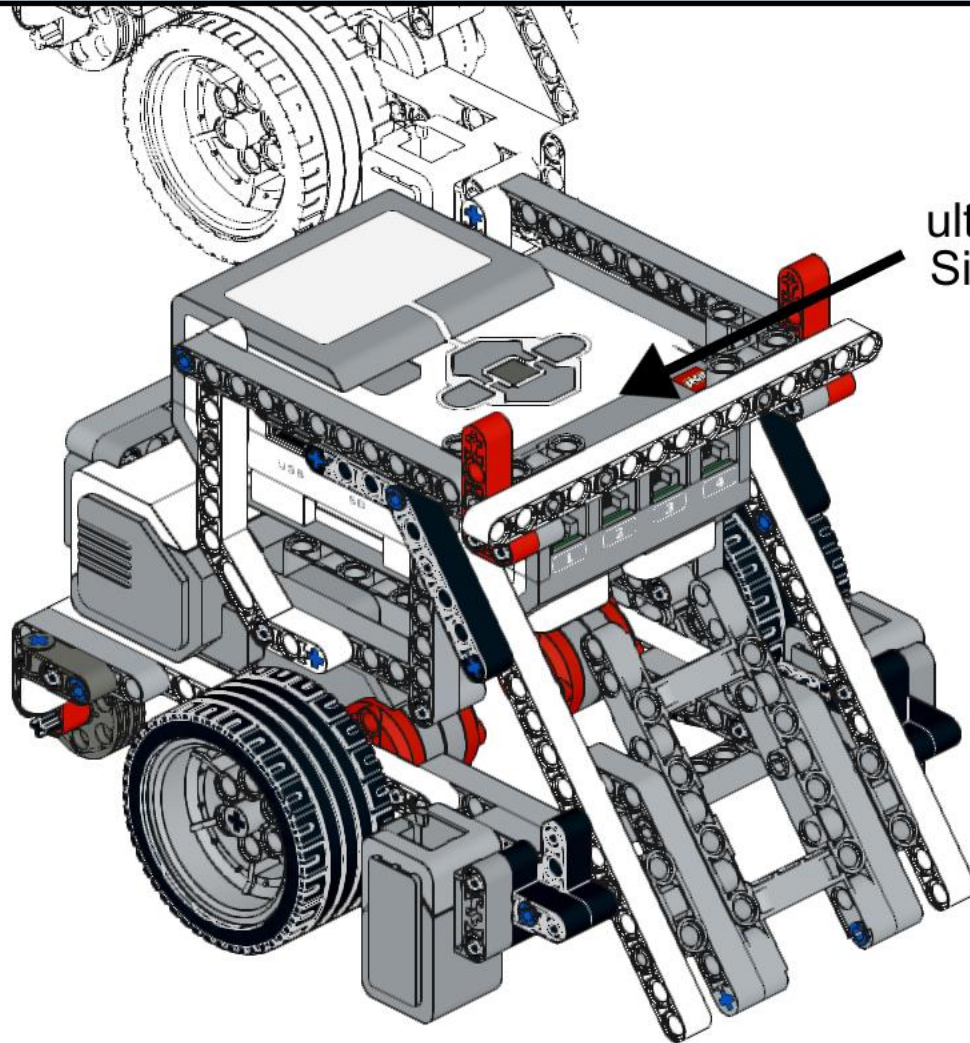
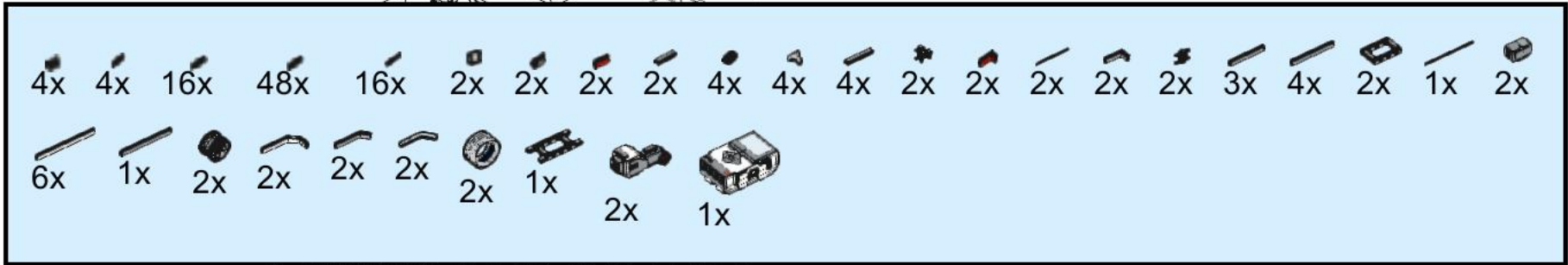
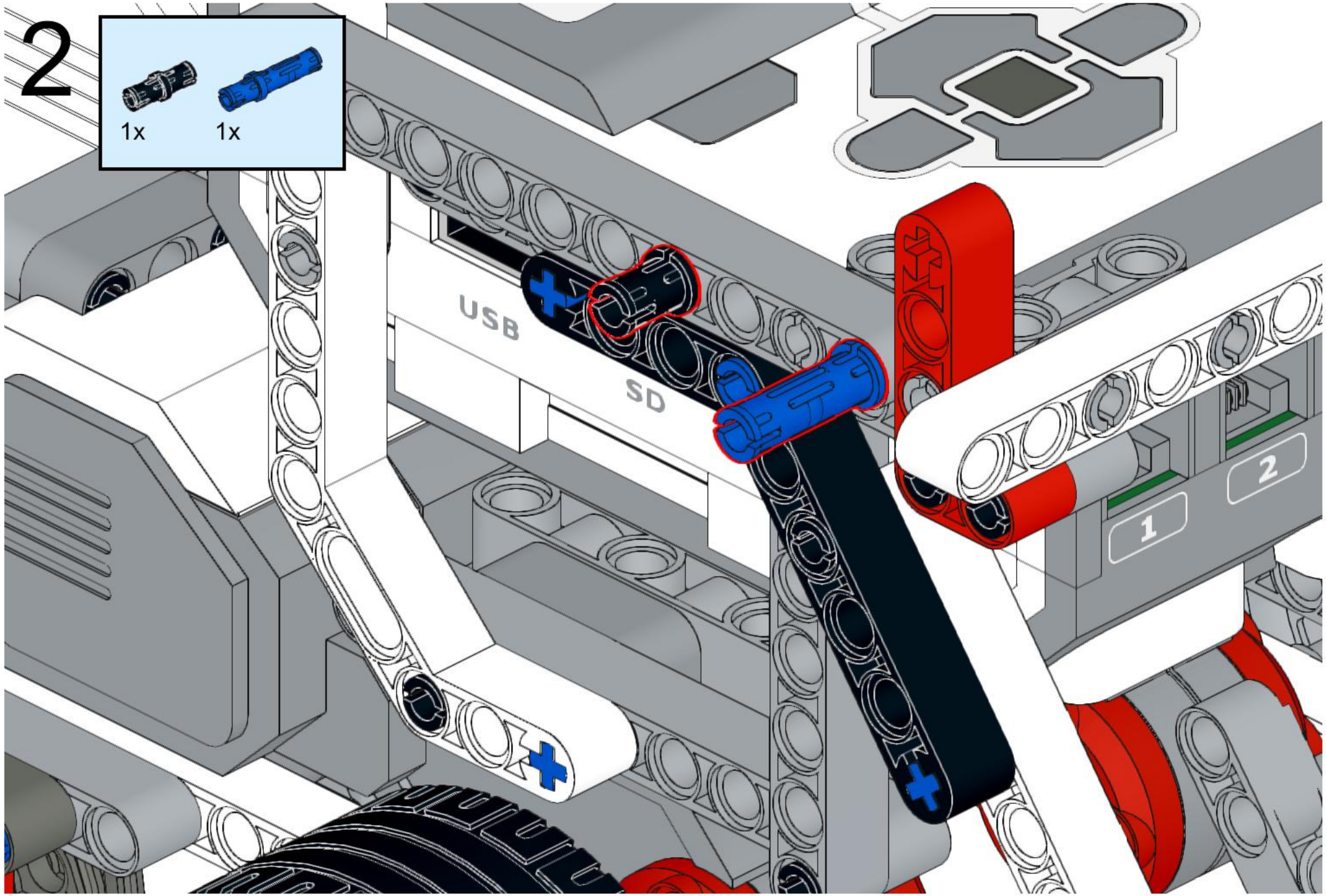
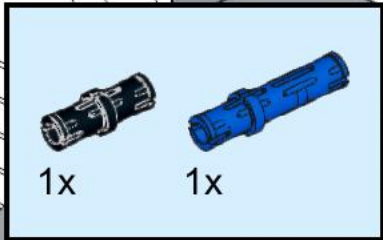


1

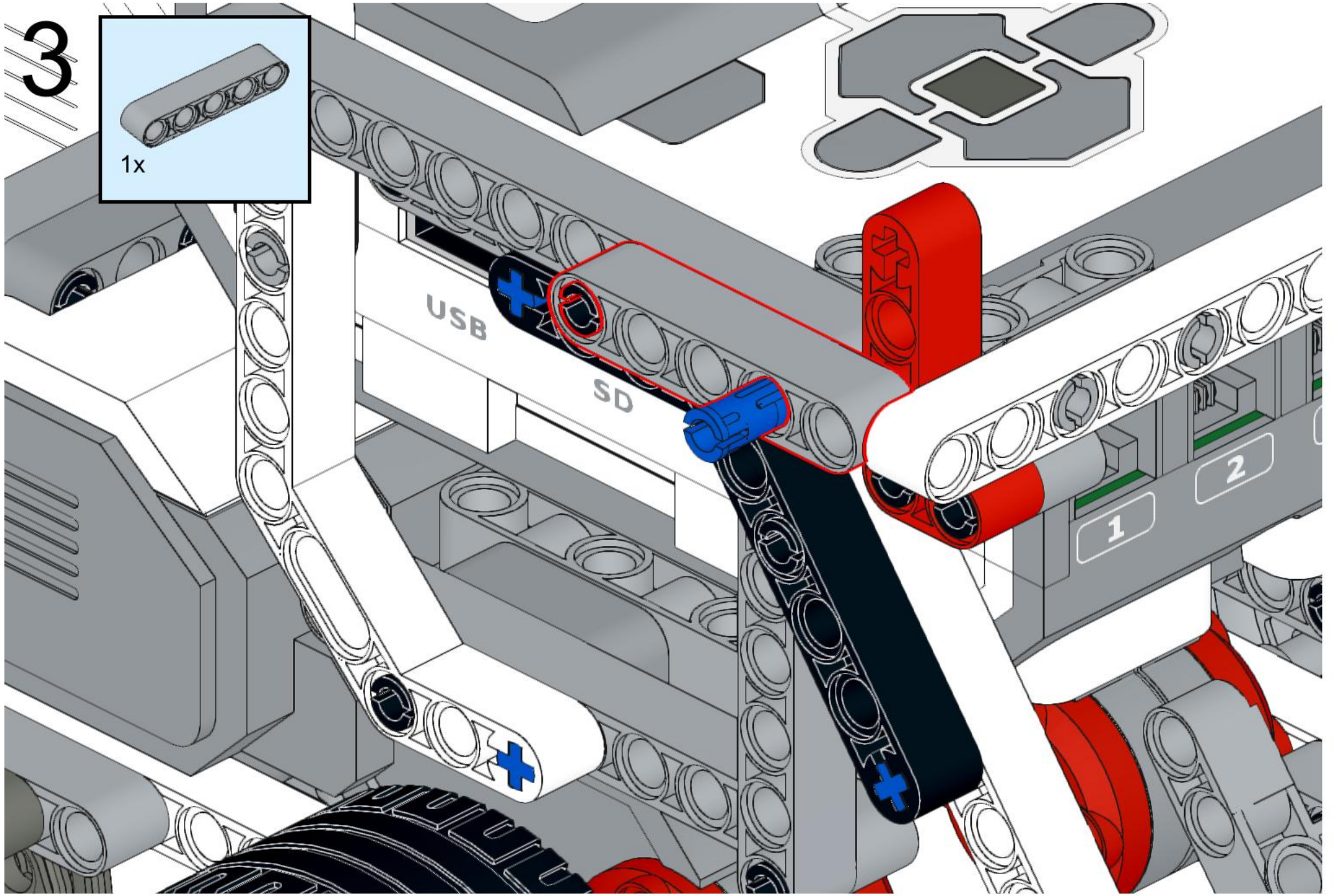
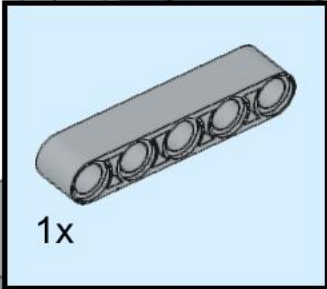


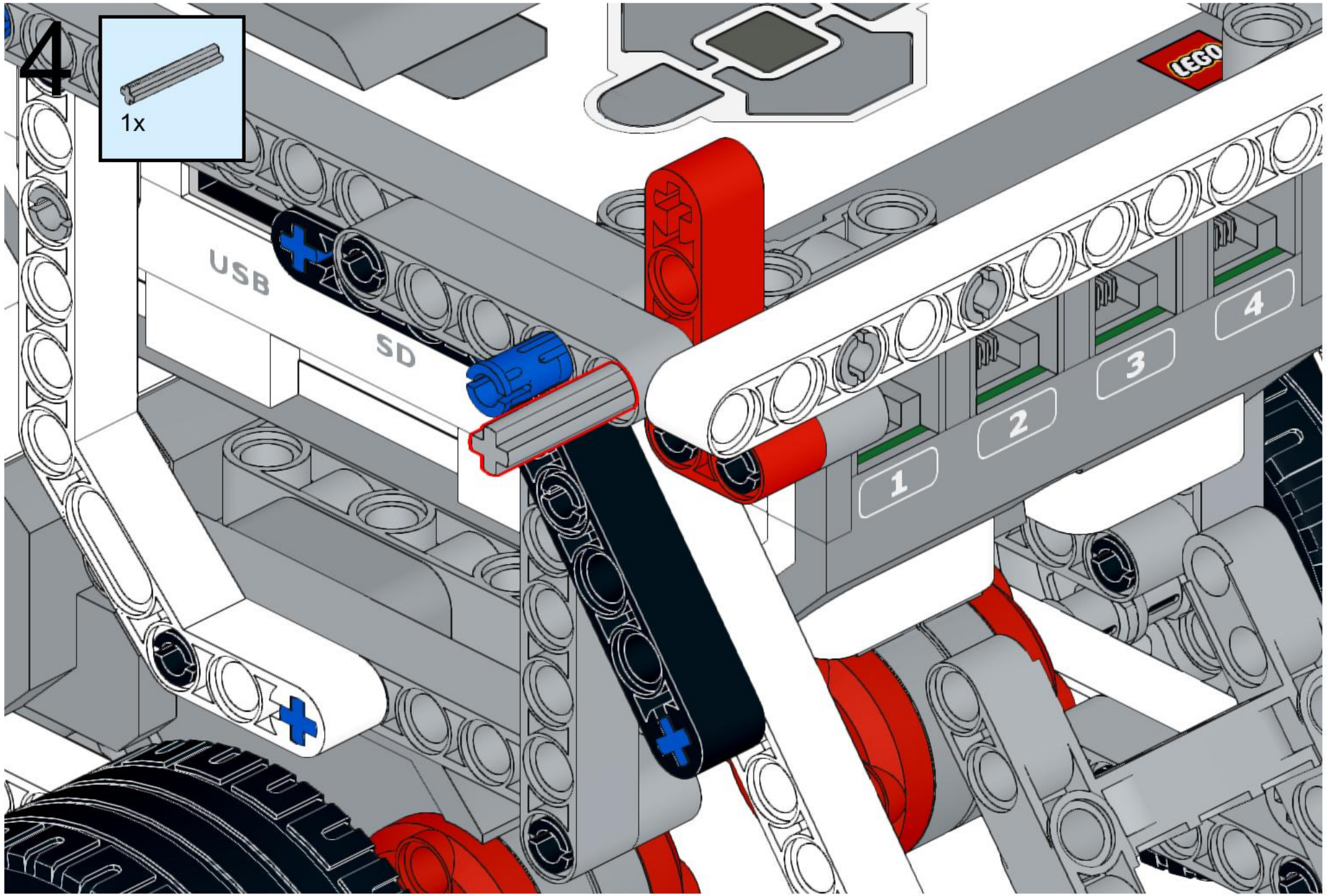
Remove the single ultrasonic sensor from the Simple-Bot (and the L-pin connector as well)

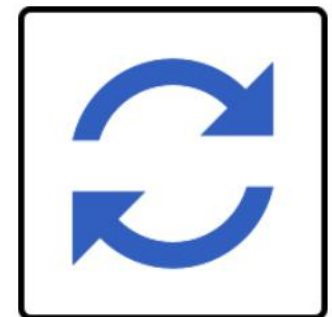
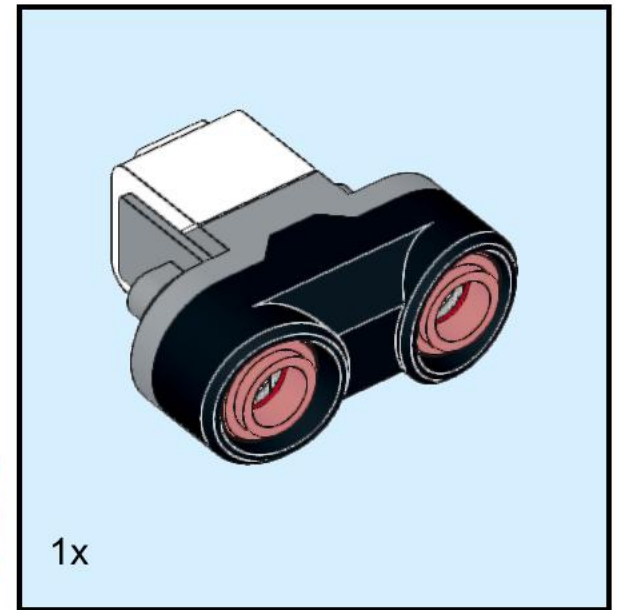
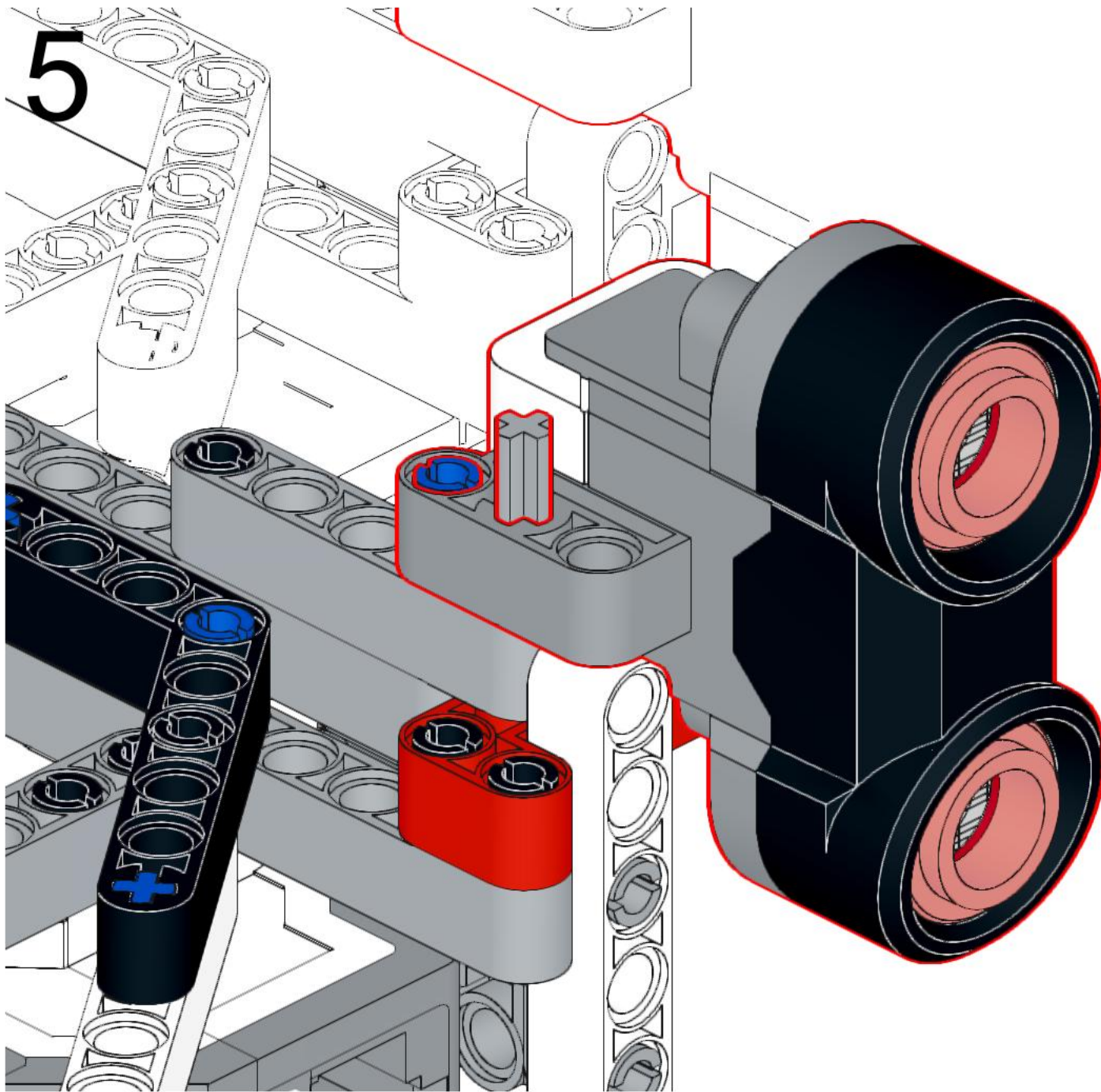
2



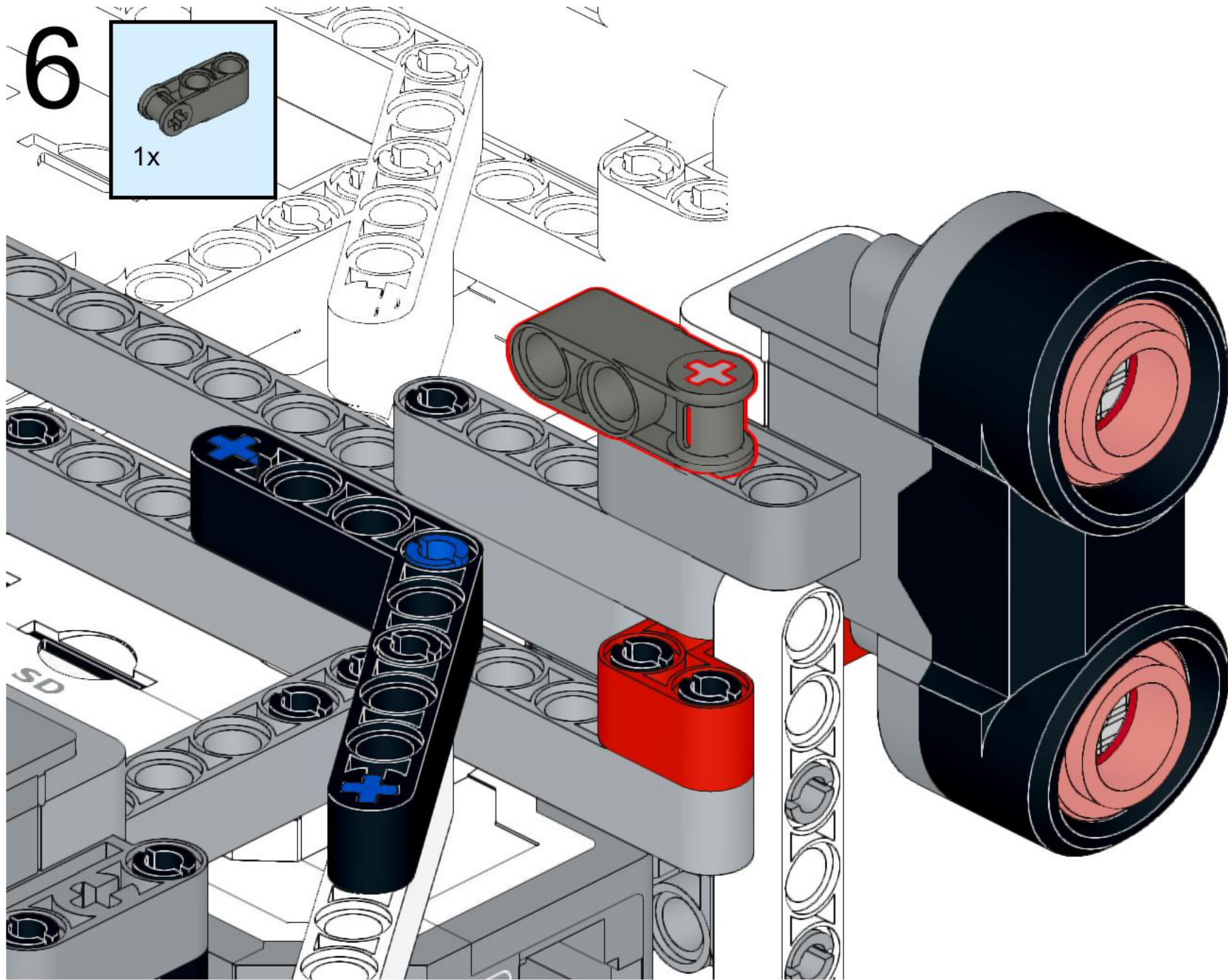
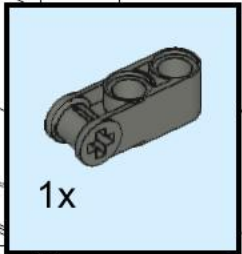
3



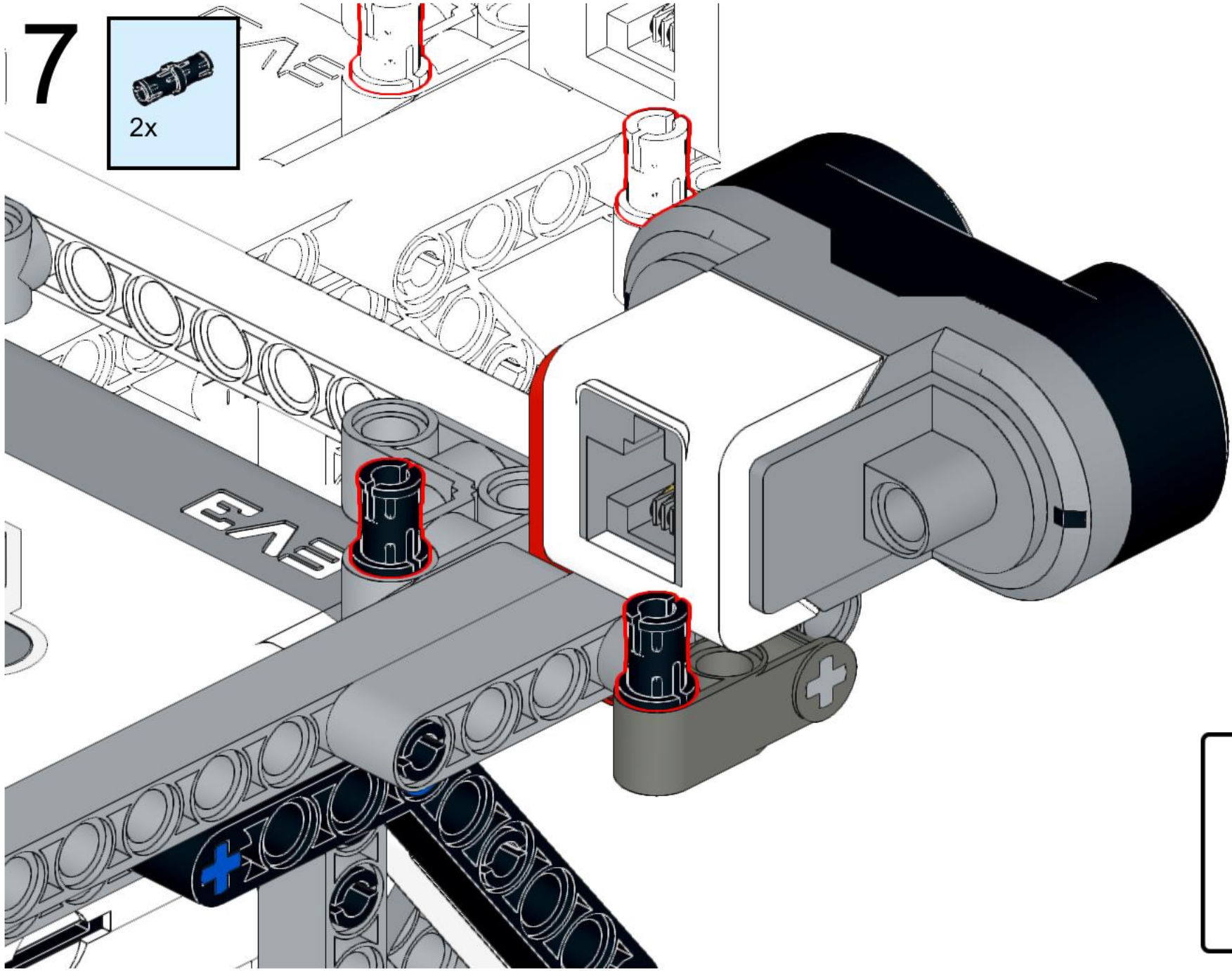


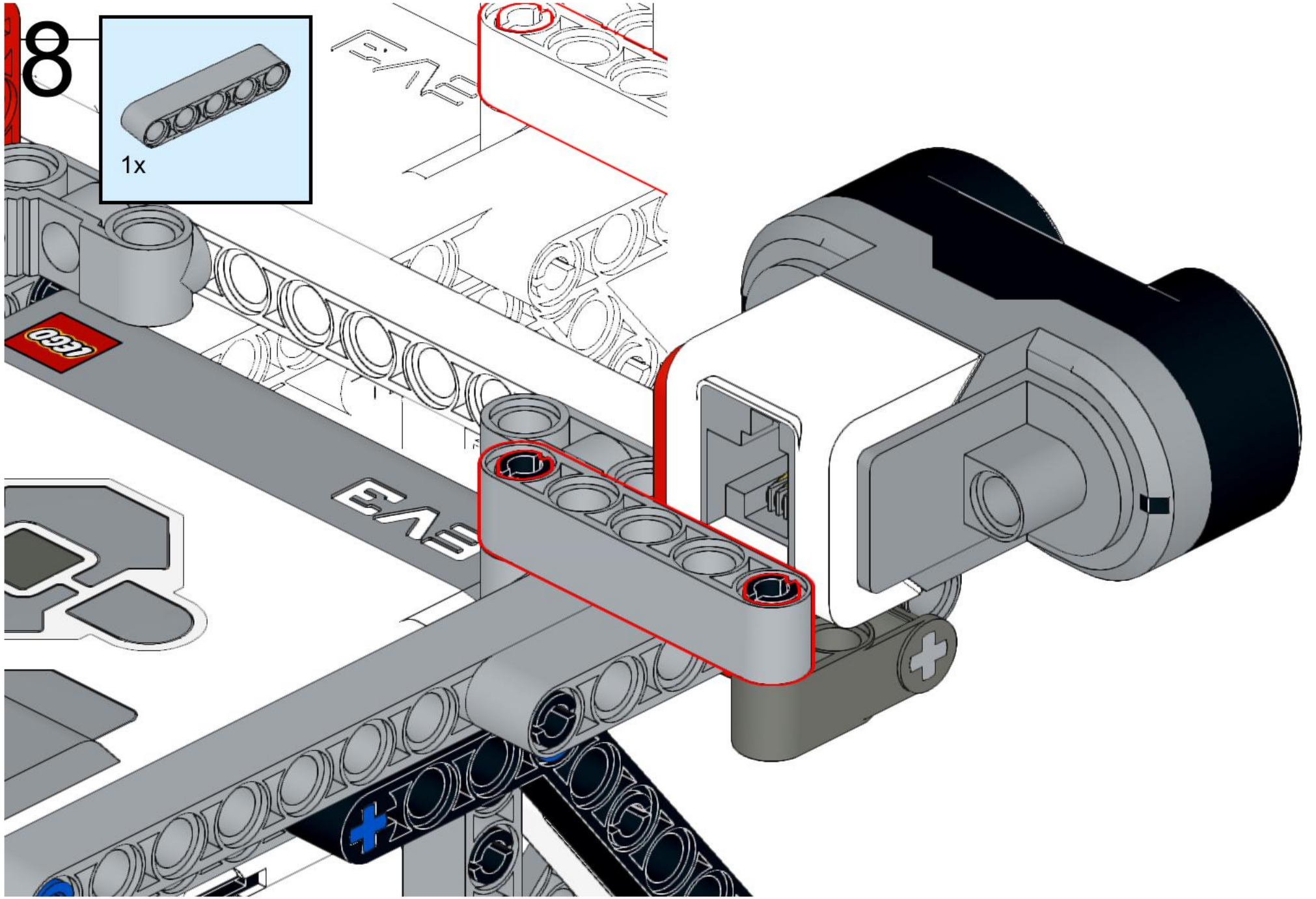


6

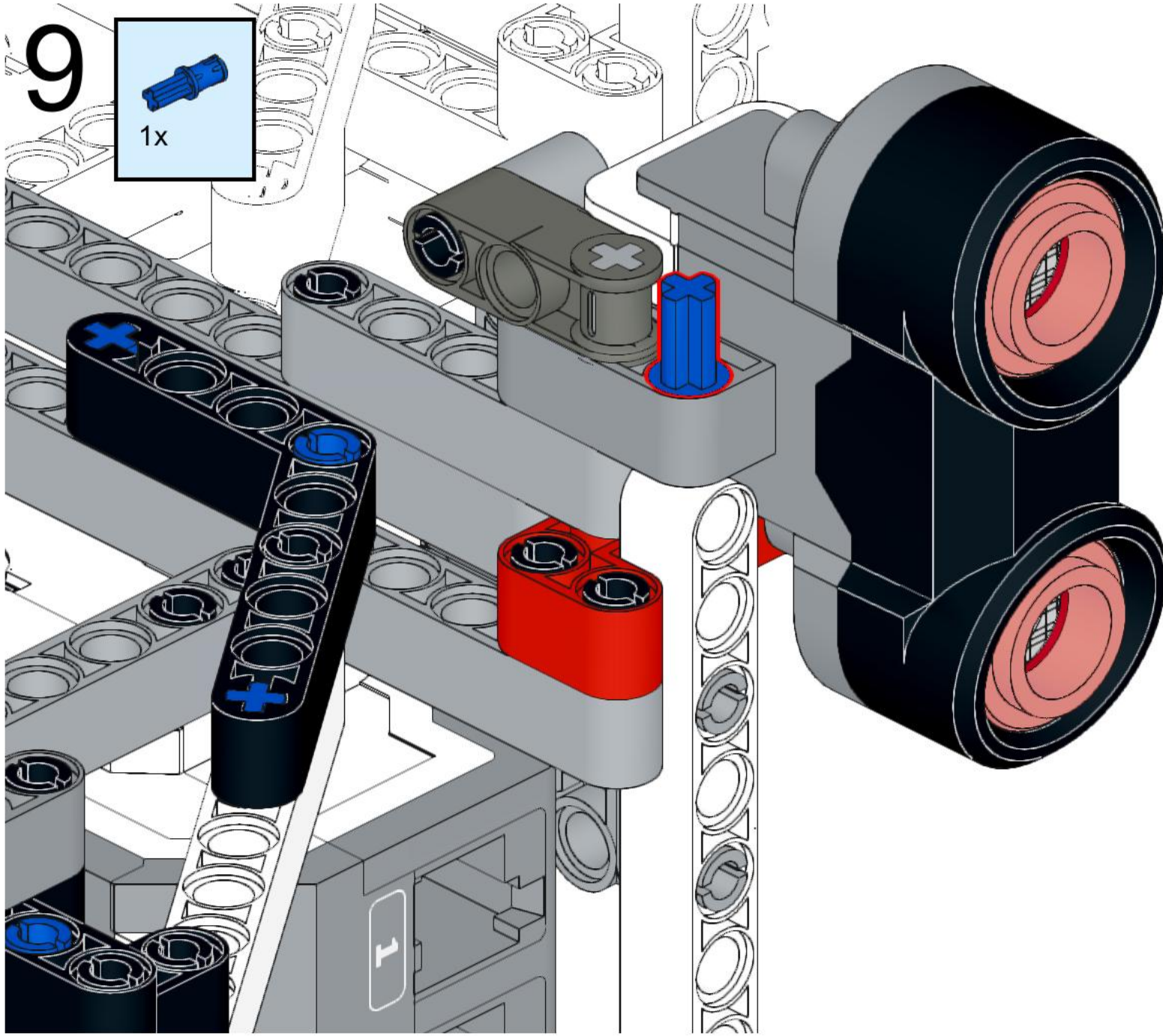
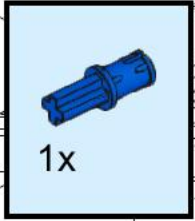


7

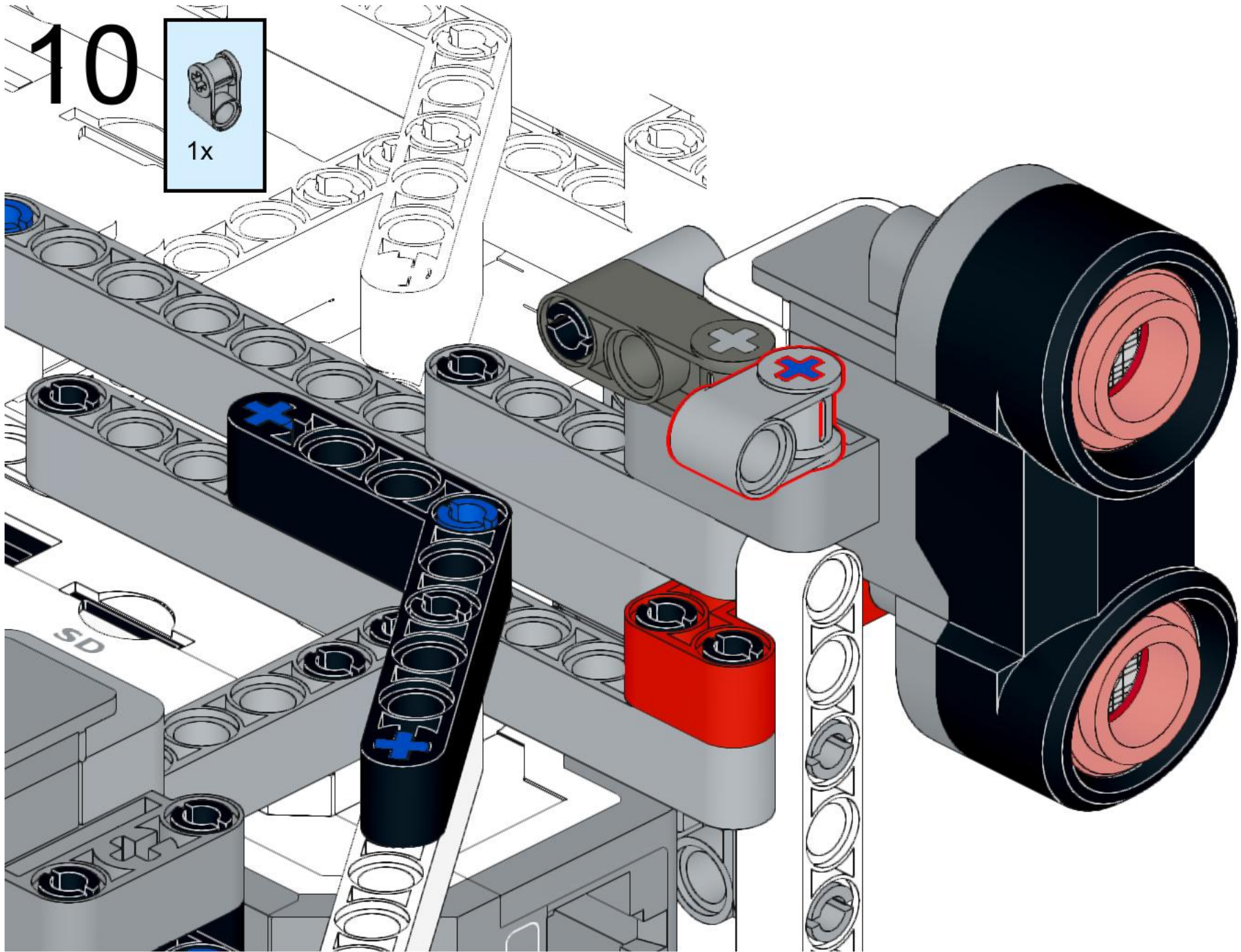
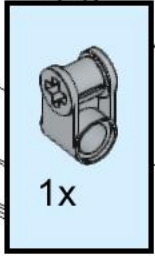




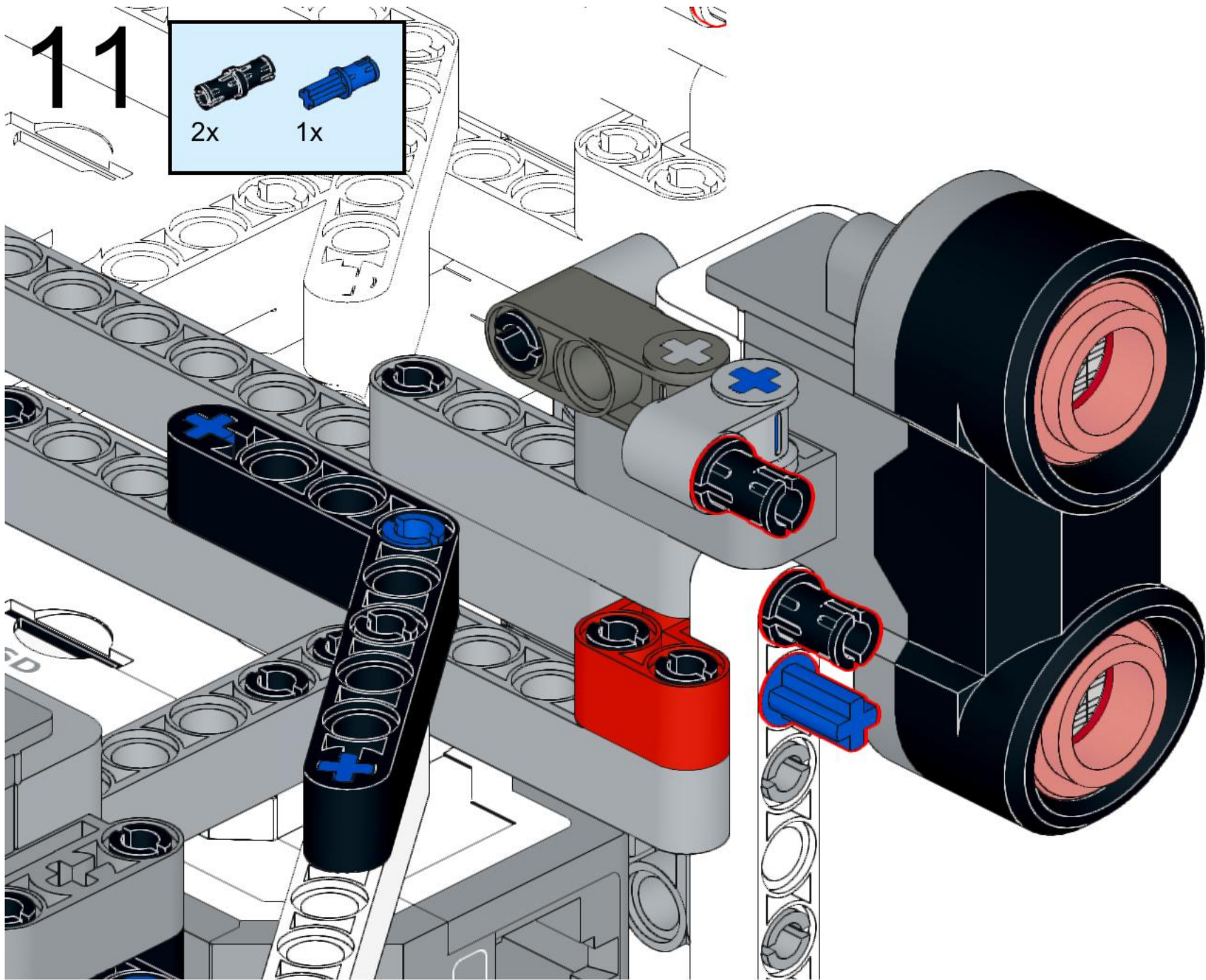
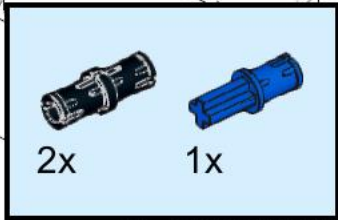
9



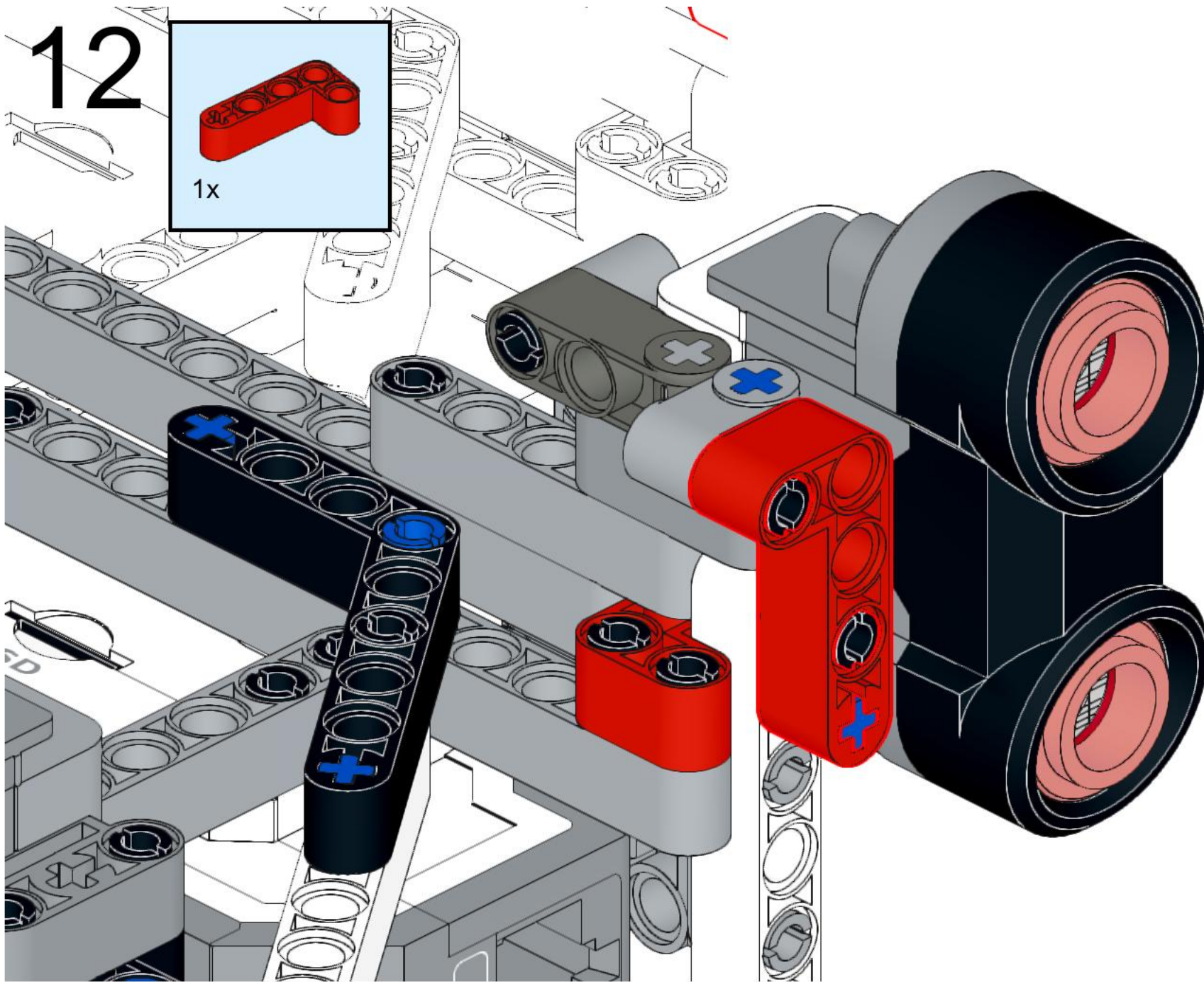
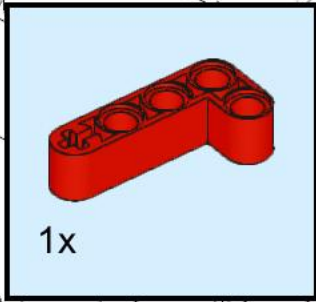
10



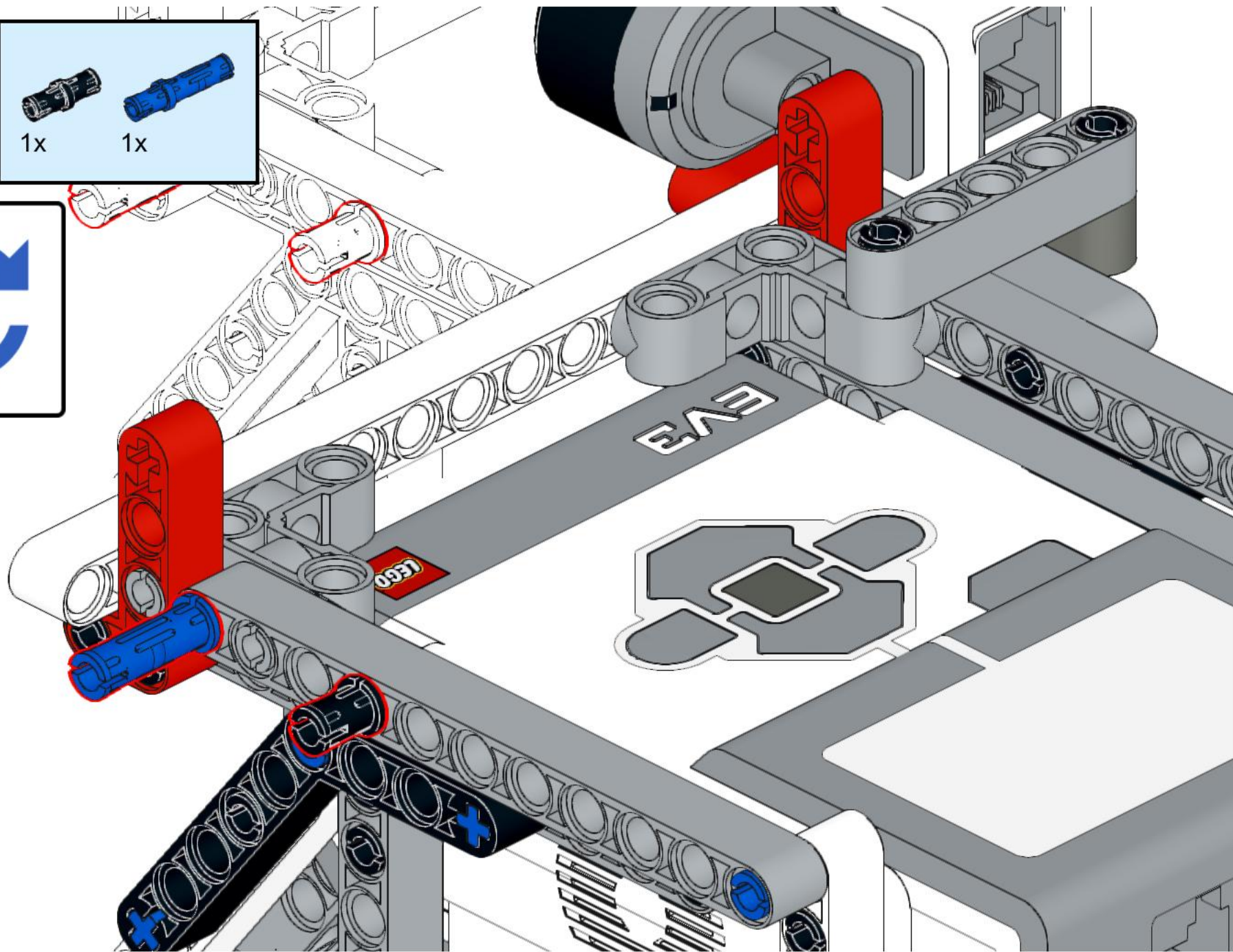
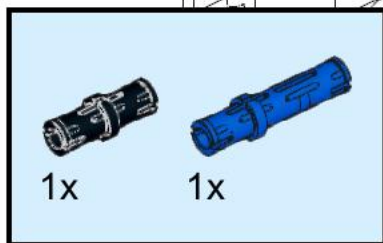
11



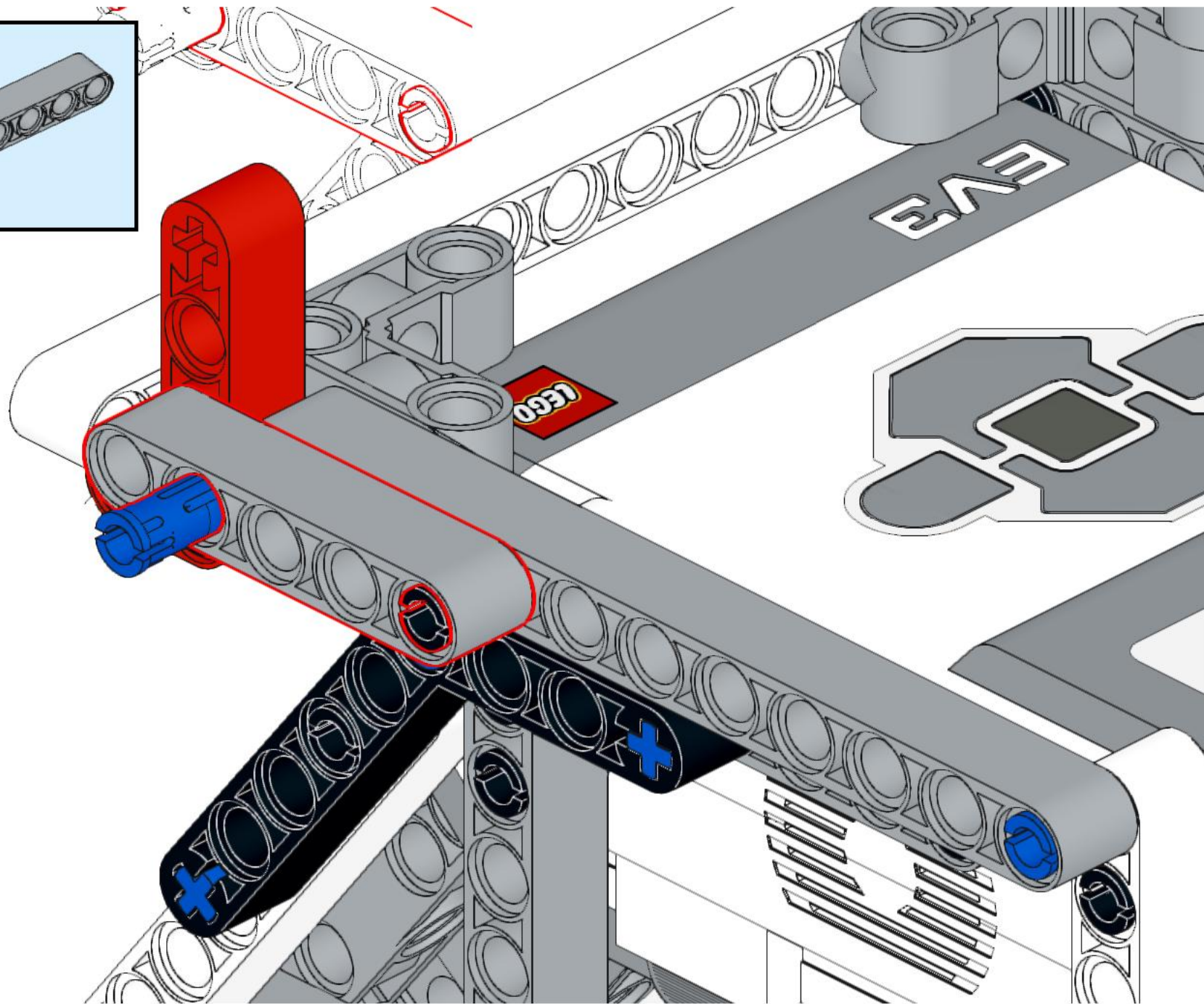
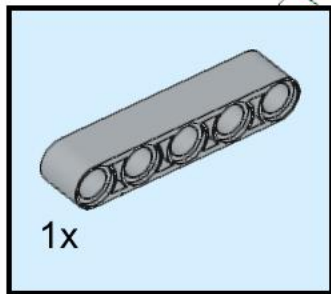
12



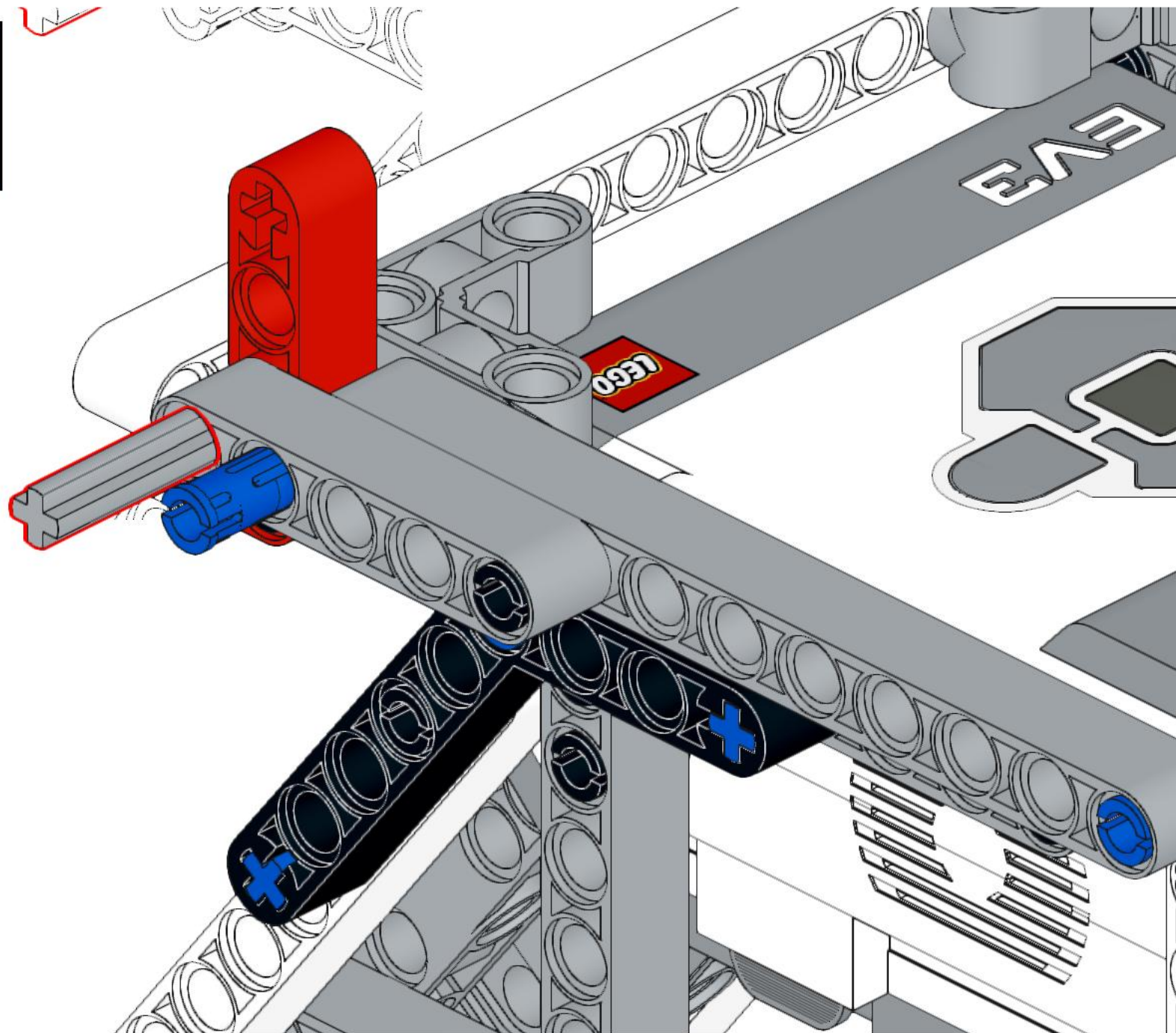
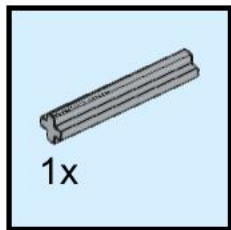
13



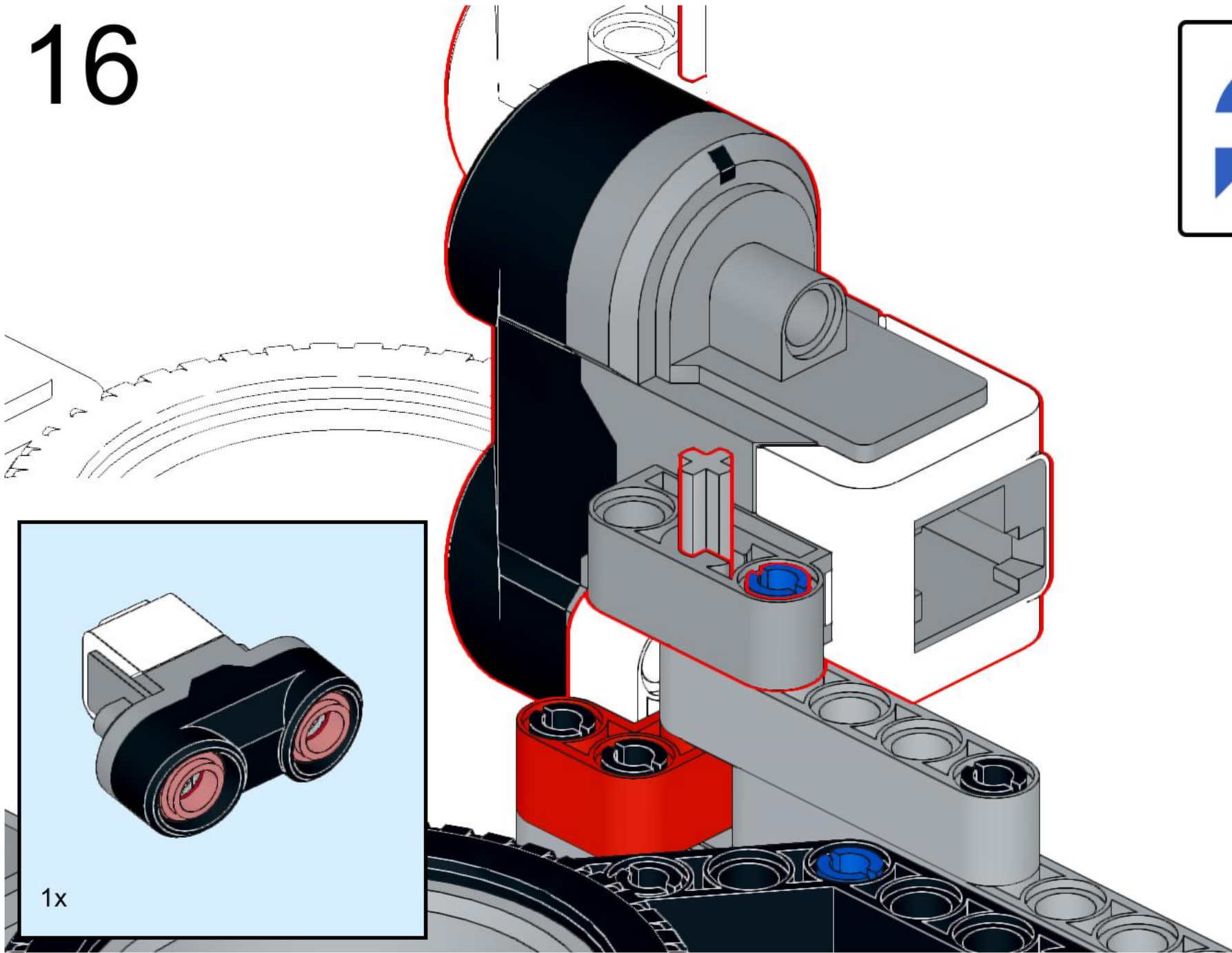
14



15

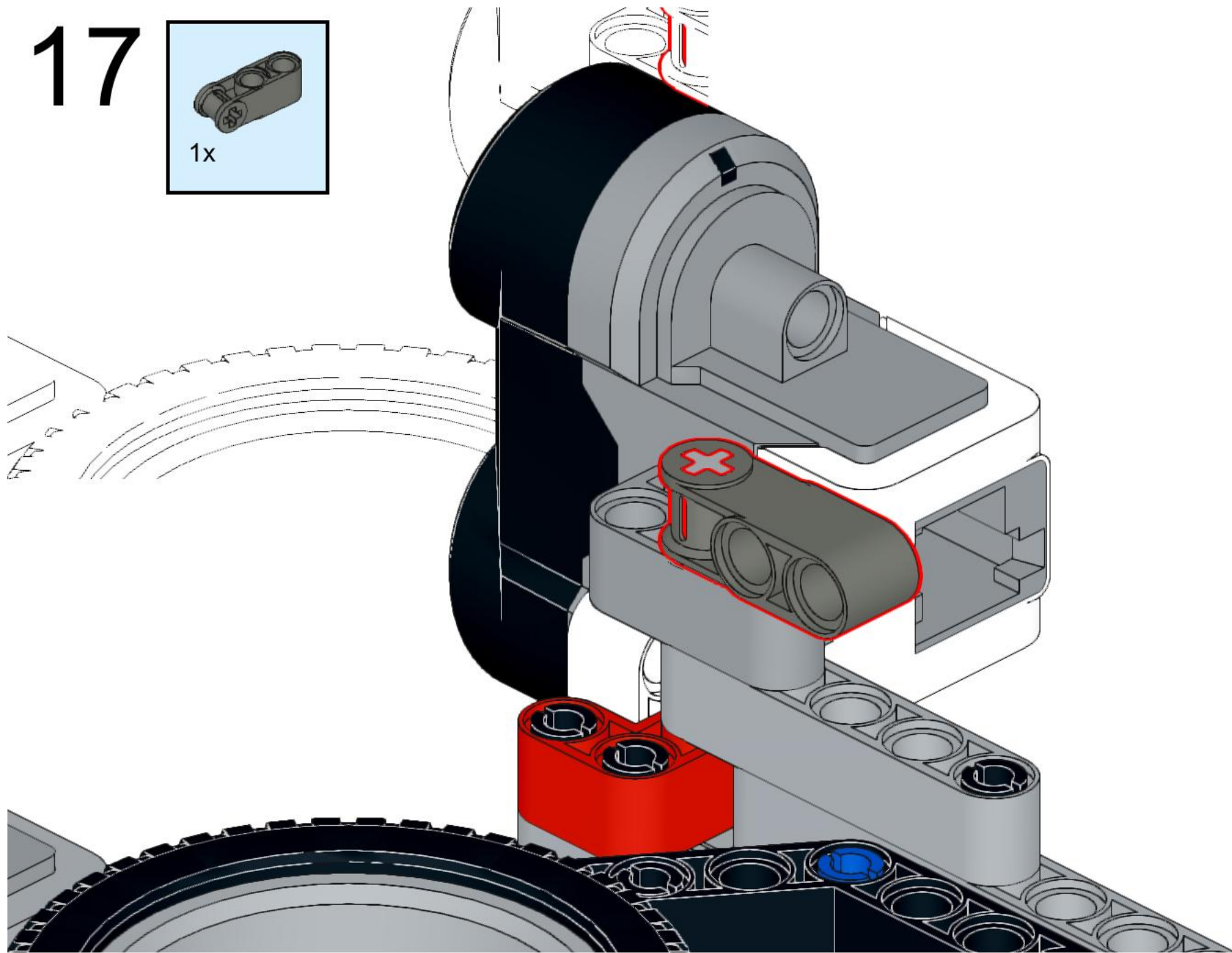
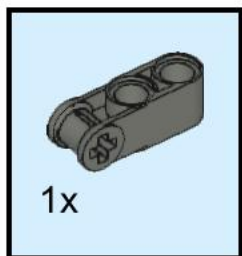


16

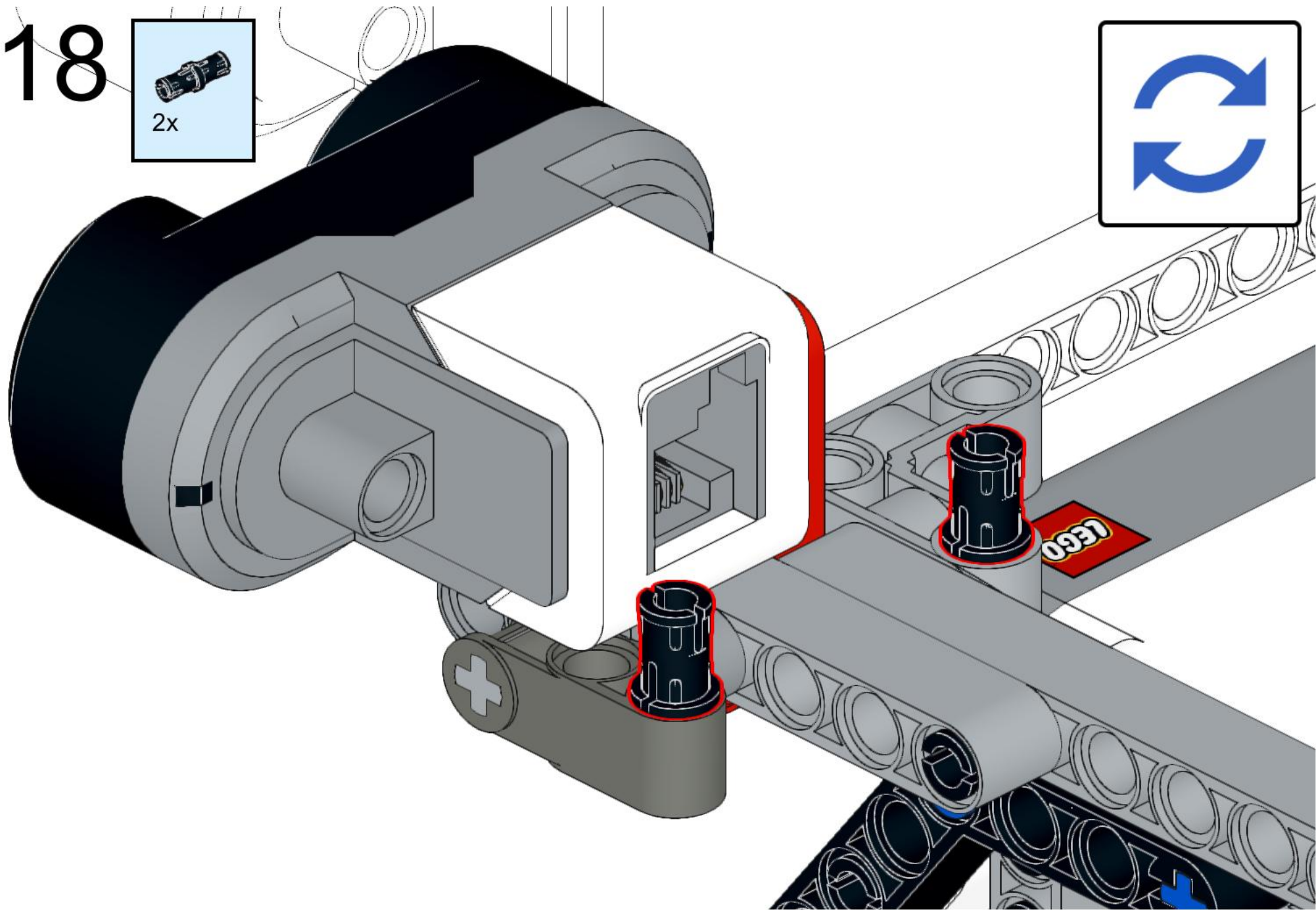
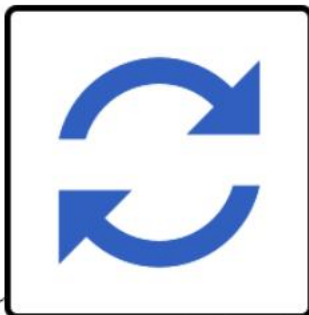


1x

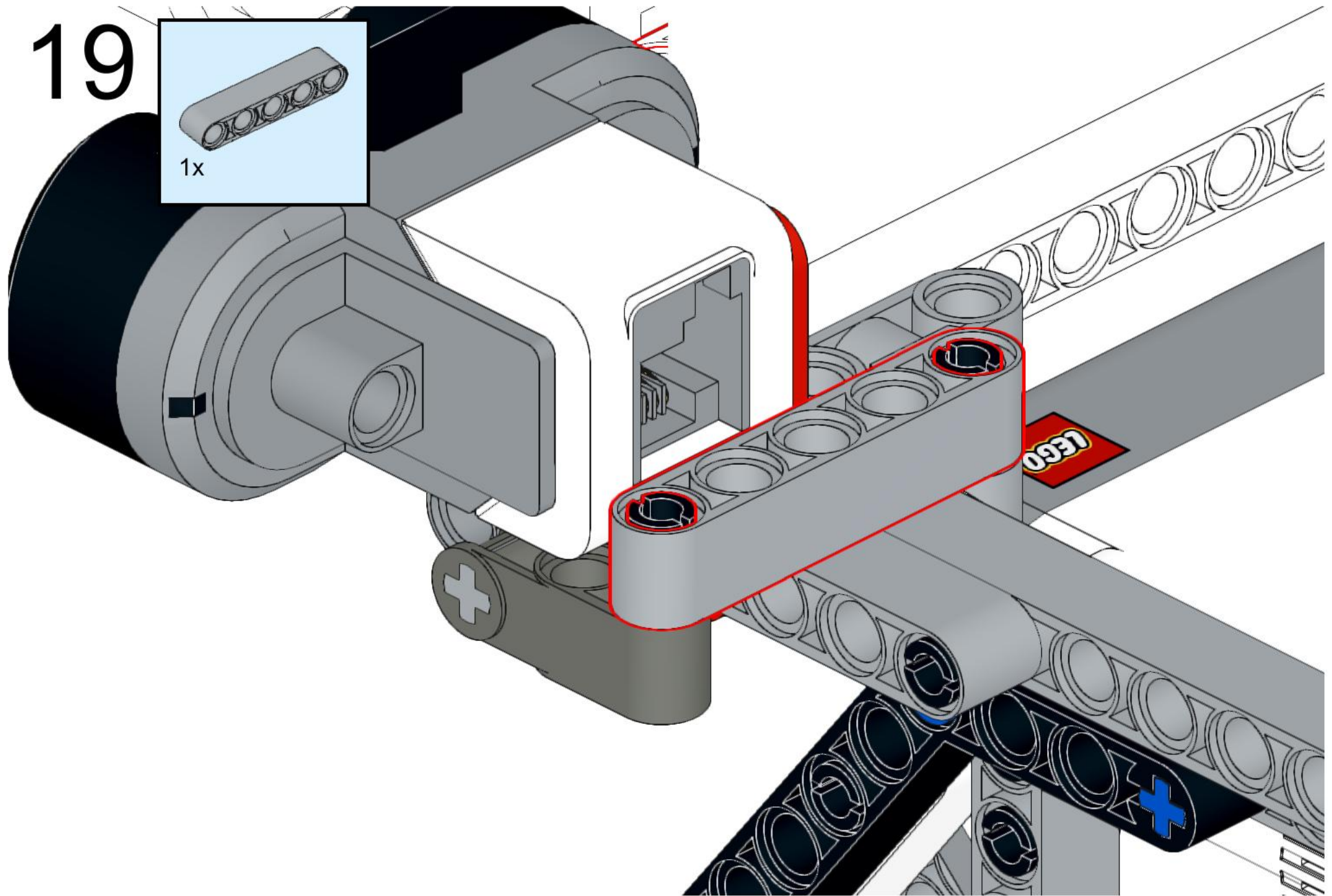
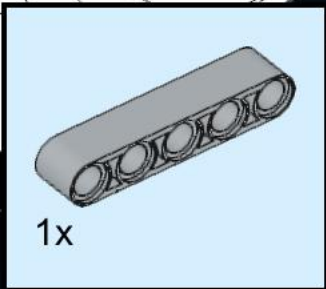
17



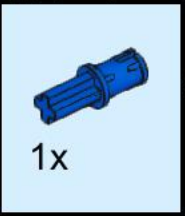
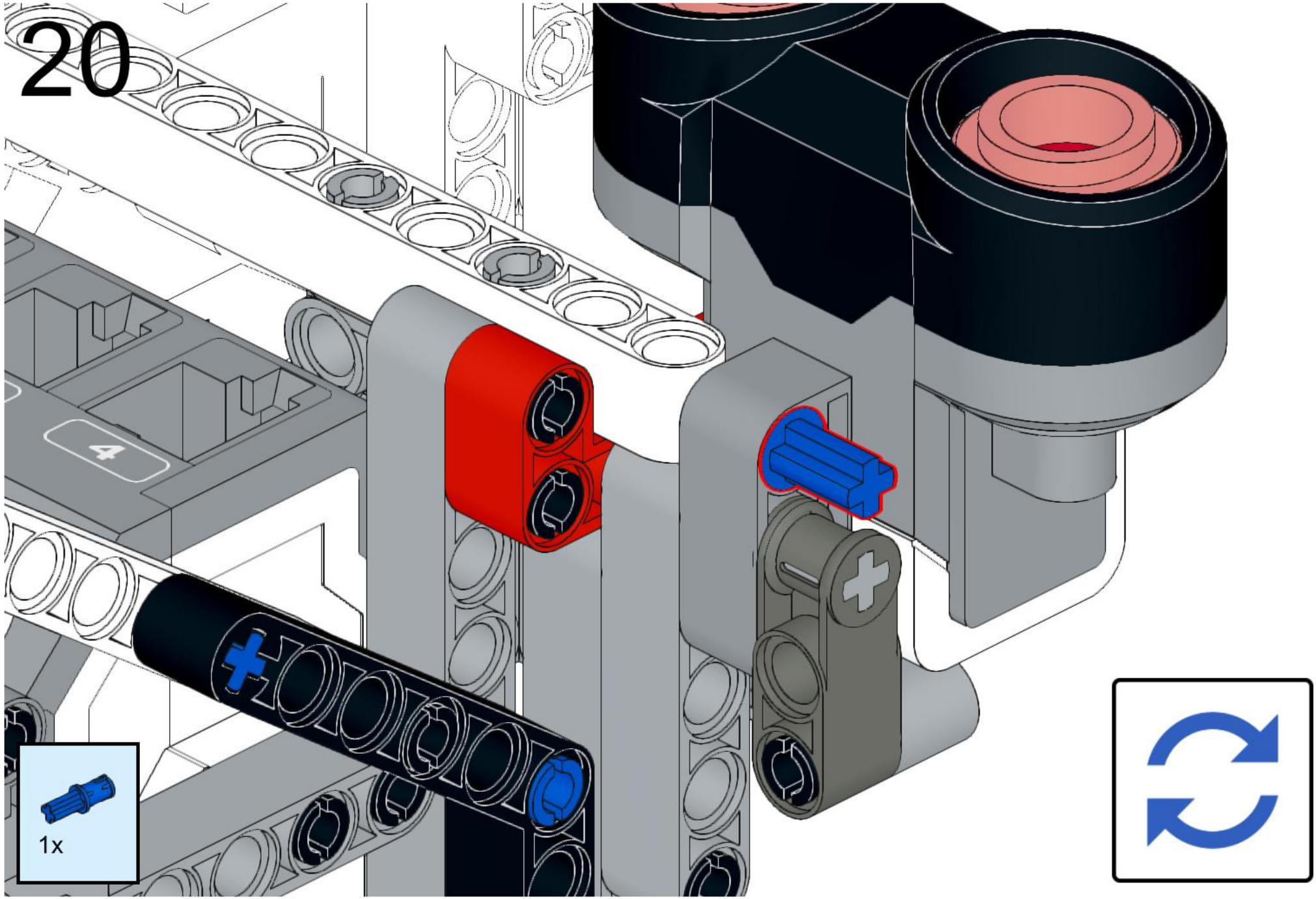
18



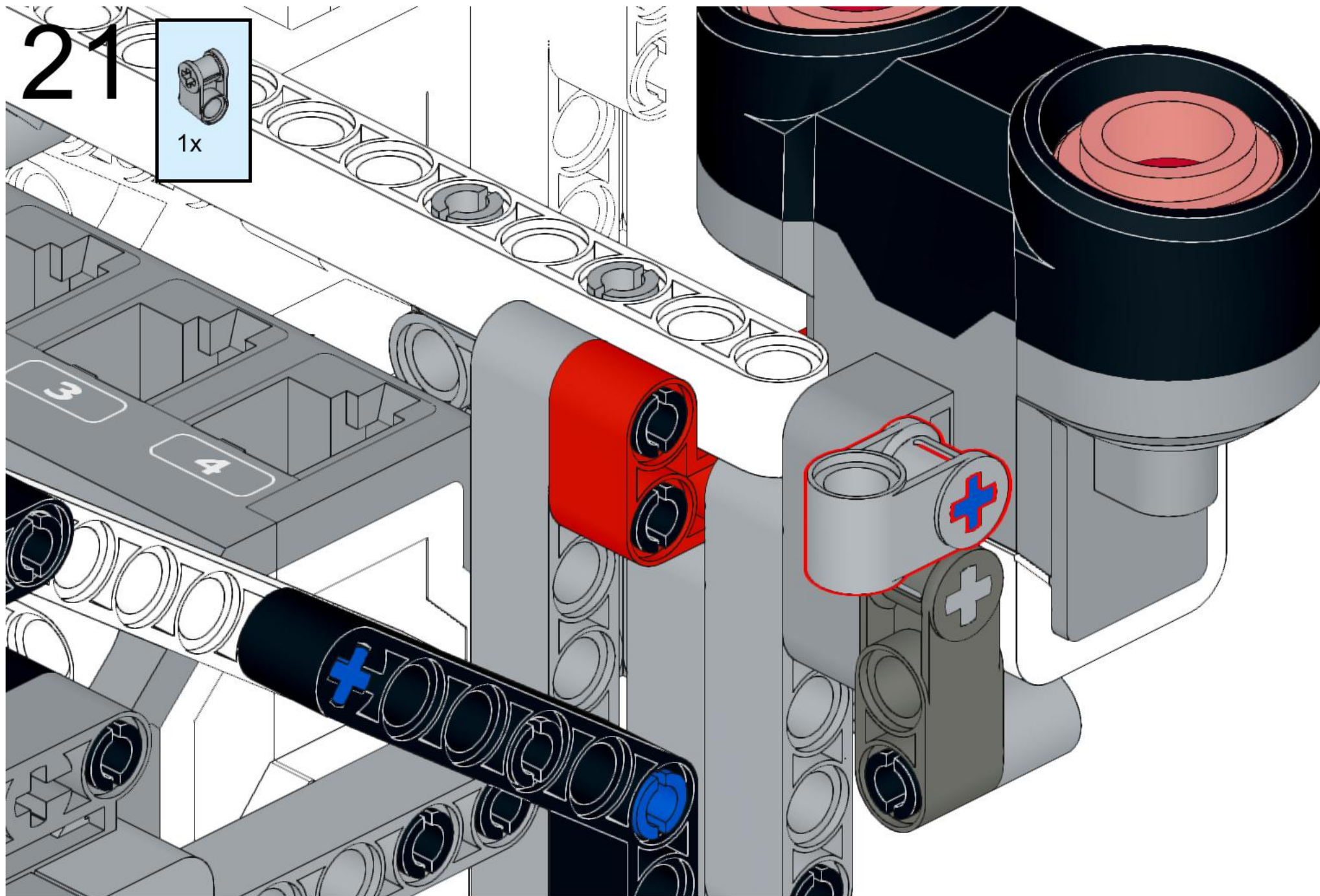
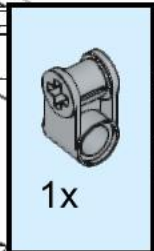
19



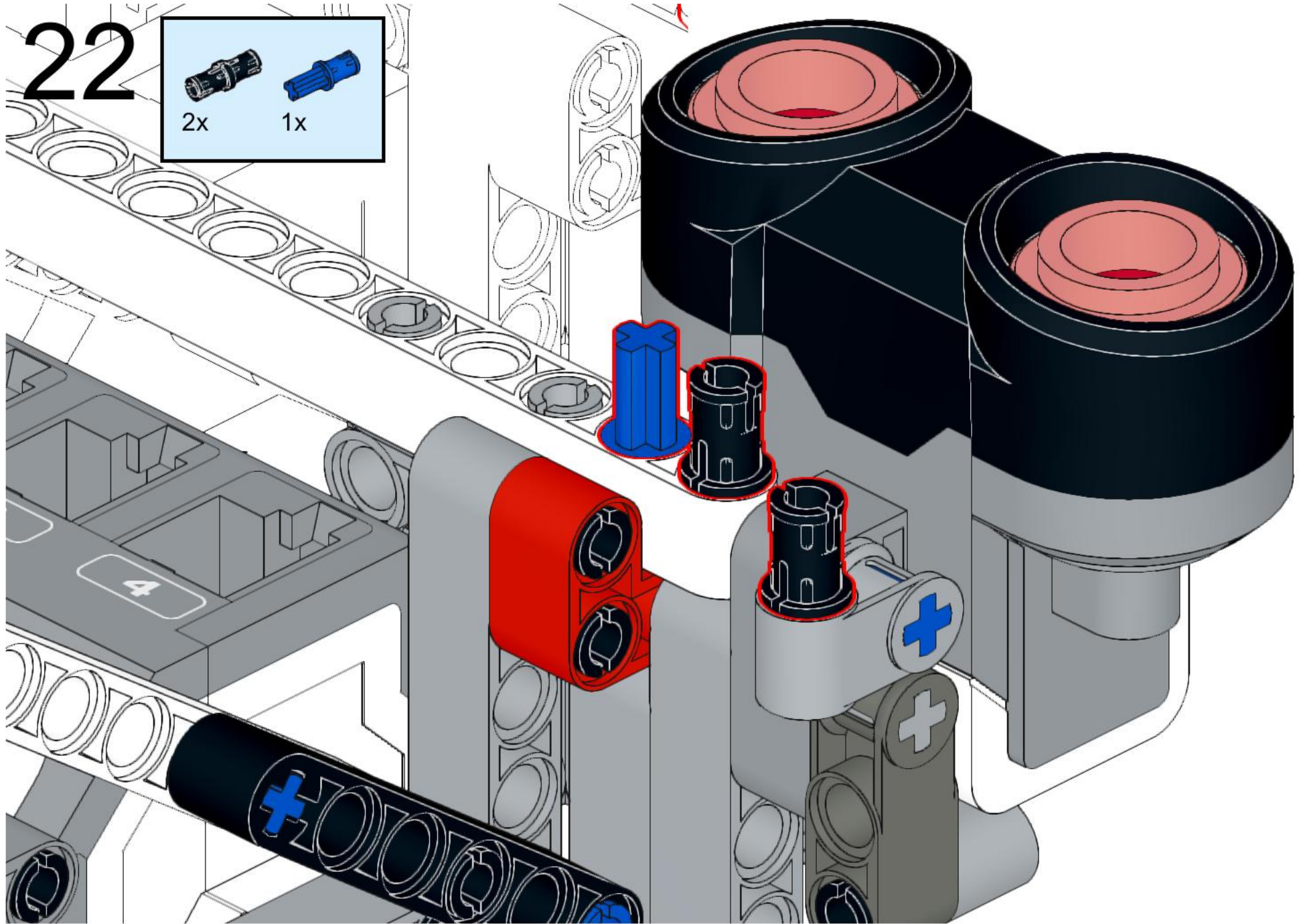
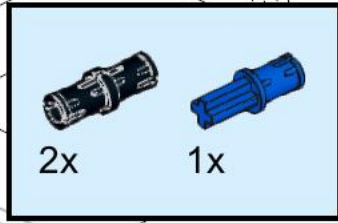
20



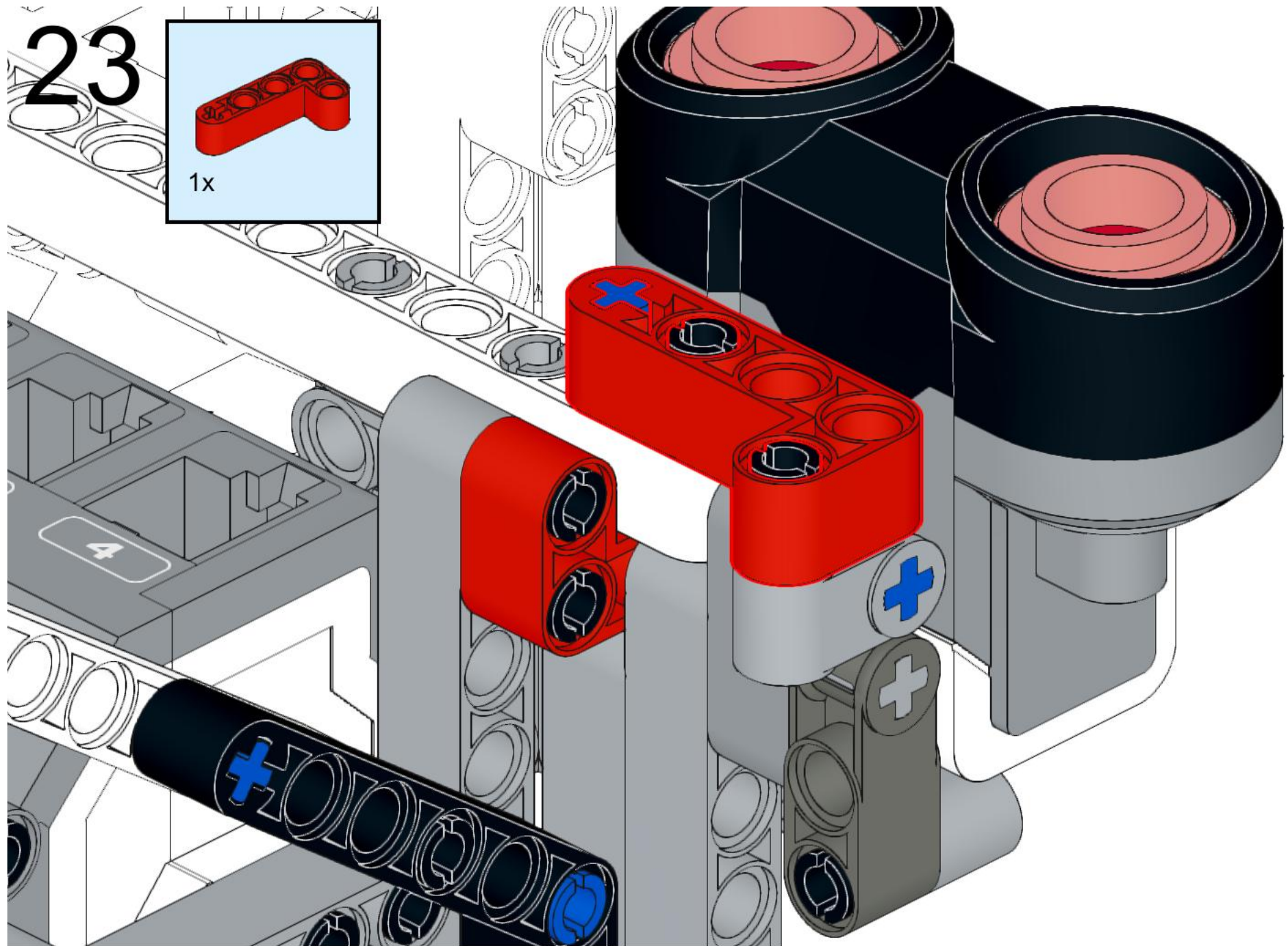
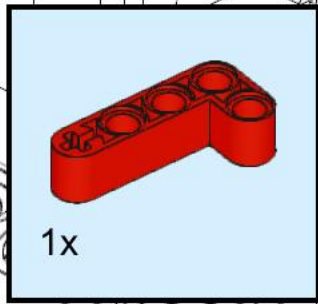
21



22



23



24

